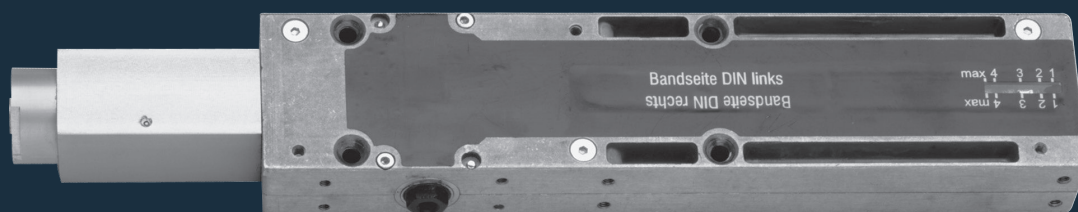
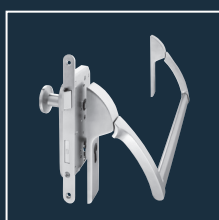
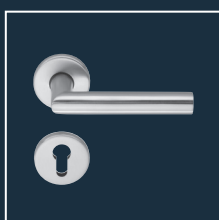
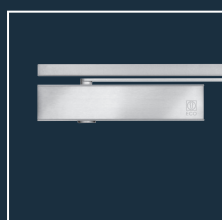


# ECOITS Multi-Genius

Product information



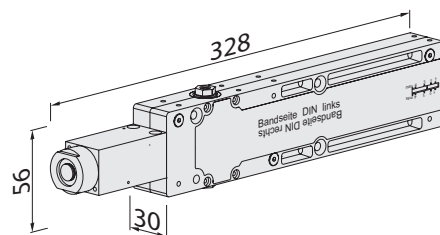
## ■ SYSTEM TECHNOLOGY FOR THE DOOR



**Product characteristics**

Closing force (with closing force display, continuously adjustable)	Size acc. to EN	1 – 4	2 – 5
Door width	≤ 1.100 mm	■	■
acc. to EN	≤ 1.250 mm	-	■
Dimensions (incl mounting plate for Multi-Genius)	Length in mm	328	328
	Depth in mm	30	30
	Height in mm	56	56
DIN left / right		■	■
Latching speed (continuously adjustable)		■	■
Closing speed (continuously adjustable)		■	■
Door opening angle (*depending on the fold geometry)		140 – 165°*	
Tested acc. to EN		<b>EN 1154</b>	
Suitable for fire- and smoke control doors (no permission for head mounting on hinge-opposed sidet, concealed ITS)		<b>F</b>	
Certified according to EU-Directive		<b>CE</b>	

- Yes
- No
- Option



Dimensions: ITS Multi-Genius



**ECO Multi-Genius ■ We've got the knack!**

With a simple 180° rotation of the micro-hydraulic damping unit (only 12ml of oil), the ITS Multi Genius can be used for DIN left and DIN right doors. The visible display eases the exact adjustment of the closing force to the door dimensions before installation. Owing to the integrated eccentric link pull, the door can be opened without larger efforts of force. The construction of the ITS Multi-Genius ensures that the opening moment is falling rapidly. The result is a problem-free comwithting of the door which can be opened easily!

# Order information

## ECO ITS Multi-Genius ■ Concealed door closer

### Product information

- ITS Multi-Genius for use in wooden doors, profile frame doors made of aluminium/steel and doors made of sheet steel starting from  $\geq 40$  mm door thickness. The very slim design (depth 30 mm) enables an unproblematic and invisible mounting in the door leaf without any additional reinforcement.
- Hydraulic cylinder containing only 12 ml oil has a huge advantage when it comes to the use in fire-protection doors
- The strongly decreasing opening moment allows an easier opening of the door
- Visible closing force display. A continuous adjustment of the closing force is possible before installation
- Easy handling of adjusting the closing speed and latching speed, even in mounted condition.
- Default delivery condition with pre-adjustment of size **EN 3** and slide rail IS, optionally in 30 x 20 mm or 20 x 12 mm

### Scope of Delivery:

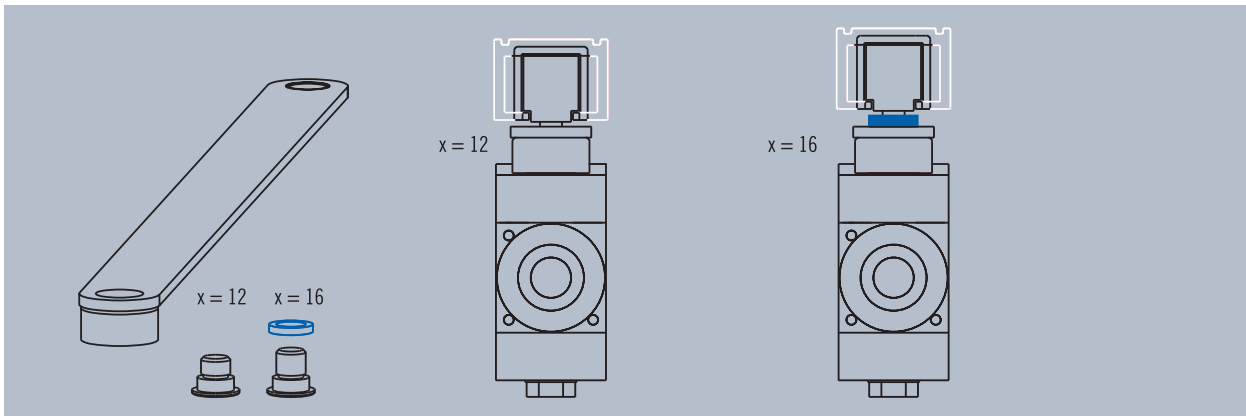
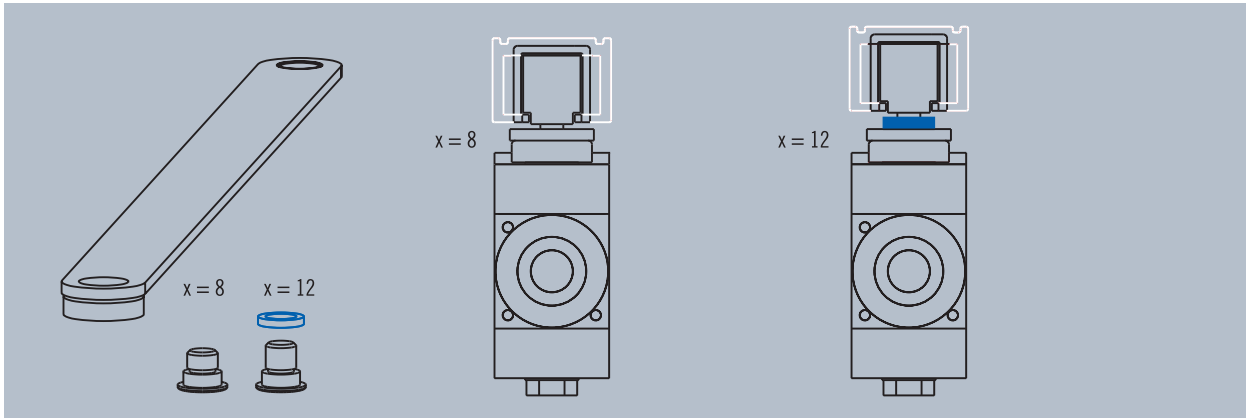
Closer body, lock plate, arm, pivot screw and spacer

### Article numbers



ITS Multi-Genius (incl. arm)	Rebate space (nut length)	Article number
ITS M-G (1 - 4)	8 - 12 mm	358038M00O00210
ITS M-G (1 - 4)	12 - 16 mm	358038M00O00211
ITS M-G (2 - 5)	8 - 12 mm	358038A00O00210
ITS M-G (2 - 5)	12 - 16 mm	358038A00O00211

# Rebate spaces (nut lengths)



The integrated ITS Multi-Genius door closer system can be used in different door profiles with different rebate space measurements. This is enabled by different counterflap lengths (x) on the arm.

Scope of Delivery : Closer body, arm, pivot screw including spacer (inset spacer optional)  
The closer body remains unchanged

Please mention the correct counterflap length when ordering slide rails for Multi-Genius.

ECO Schulte GmbH & Co. KG  
Iserlohner Landstraße 89  
D - 58706 Menden

Telefon: +49 2373/9276-0  
Fax: +49 2373/9276-40

[info@eco-schulte.de](mailto:info@eco-schulte.de)  
[www.eco-schulte.de](http://www.eco-schulte.de)

© ECO Schulte GmbH & Co. KG - Änderungen vorbehalten  
© ECO Schulte GmbH & Co. KG - Subject to change