

GENERGY

GZE-3336



2014/30/EU (EN55032:2015/A11:2020-EN55035:2017/A11:2020-EN IEC 61000-3-2:2019-EN61000-3-3:2013+A1:2019)
EMC 2014/35/EU (EN62368-1:2014+A11:2017) LVD 2011/65/EU RoHS UN38.3

FICHA TÉCNICA - TECHNICAL DATA SHEET





	MODELO	GZE-3336
Capacidad / Capacity		3248Wh
Tipo de batería / Battery Type		LiFePO4
Ciclo de vida de batería / Battery Lifecycle		3500 >70% 2000 >80%
SALIDAS/OUTPUT	Salida 230V / 230V output	3600W
	Pico 230V / 230V output	5400W
	Salida energía / Power Output	Pure sine wave
	SCHUKO 230V	5
	USB-C 100W	2
	USB-C 30W	0
	USB-QC 3.0 18W	4
	Puerto coche / Car ports	13.6V/8A
	Salida CC / DC output	2x13.6V/8A (DC5521)
	Puertos totales / Total No Ports	14
ENTRADAS/ INPUT	Entrada 230V / 230V Input	1500W
	Tiempo de carga completa / Full charging time	3h
	Entrada CC / DC Input	420W (DC5521)
	Entrada panel solar / Input solar panel	XT60-12/60V 10A
	Control panel solar / Panel solar controller	MPPT
	Panel solar compatible / Recommended solar panel	3SET: GZE200W
	Tiempo de carga desde panel / Panel solar charging time	8-13h (3SET: GZE200W)
	Carga-salida simultanea / Simultaneous Charging-Output	OK
Medidas / Size		431x311x476mm
Peso (Weight		39kg
Accesorios / Accessories		Cables carga – Manual / Charging line - Manual
Referencia / Reference		31530

DESTACADO / HIGHLIGHT

Carga ultrarrápida en 180 minutos.

Batería **LifePO4** de última generación, 3500 ciclos >70% 2000 ciclos >80%.

BMS: Sistema inteligente para la gestión de la batería.

MPPT: Seguidor de punto de máxima potencia, mayor rendimiento de carga desde paneles solares.

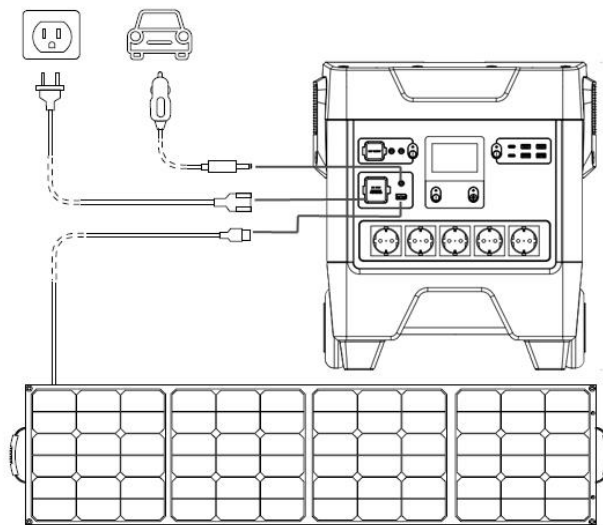
Ultra-fast charging in 180 minutes.

Latest generation **LifePO4** battery, 3500 cycles >70% 2000 cycles >80%.

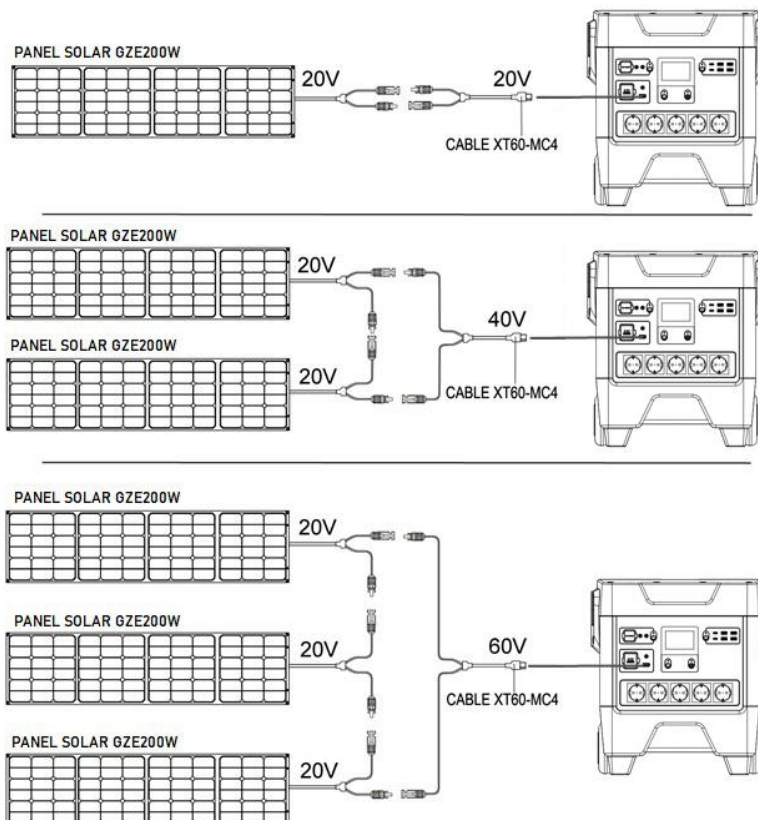
BMS: Intelligent system for battery management.

MPPT: Maximum Power Point Tracker, higher charging performance from solar panels.

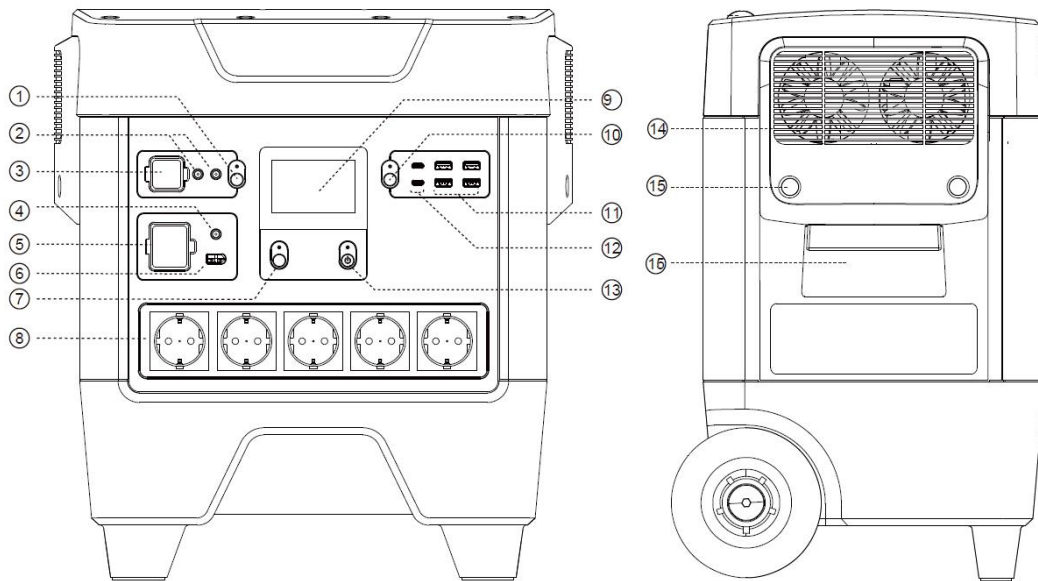
FORMAS DE CARGA / CHARGING METHODS



CONEXION PANEL SOLAR (3 OPCIONES) / SOLAR PANEL CONNECTION (3 OPTIONS)



COMPONENTES / COMPONENTS



ESPAÑOL

1- Botón CC (DC) ON/OFF

2- Puerto de salida CC (DC)

3- Toma de mechero

4- Puerto de entrada CC (DC)

5- Puerto de entrada CA (AC)

6- Puerto de entrada panel solar

7- Botón CA (AC) ON/OFF

8- Puertos de salida CA (AC)

9- Pantalla LCD

10- Botón USB ON/OFF

11- Puertos de salida QC3.0 USB-A

12- Puertos de salida PD100W USB-C

13- Botón encendido general ON/OFF

14- Ventiladores de refrigeración

15- Orificios para fijar cáncamos*

16- Asa

INGLES

1- DC ON/OFF Switch

2- DC Output port

3- Car cigarette lighter socket

4- DC Input port

5- AC Input port

6- Solar panel input port

7- AC ON/OFF Switch

8- AC Output ports

9- LCD Display

10- USB ON/OFF Switch

11- QC3.0 USB-A Output Ports

12- PD100W USB-C Output Ports

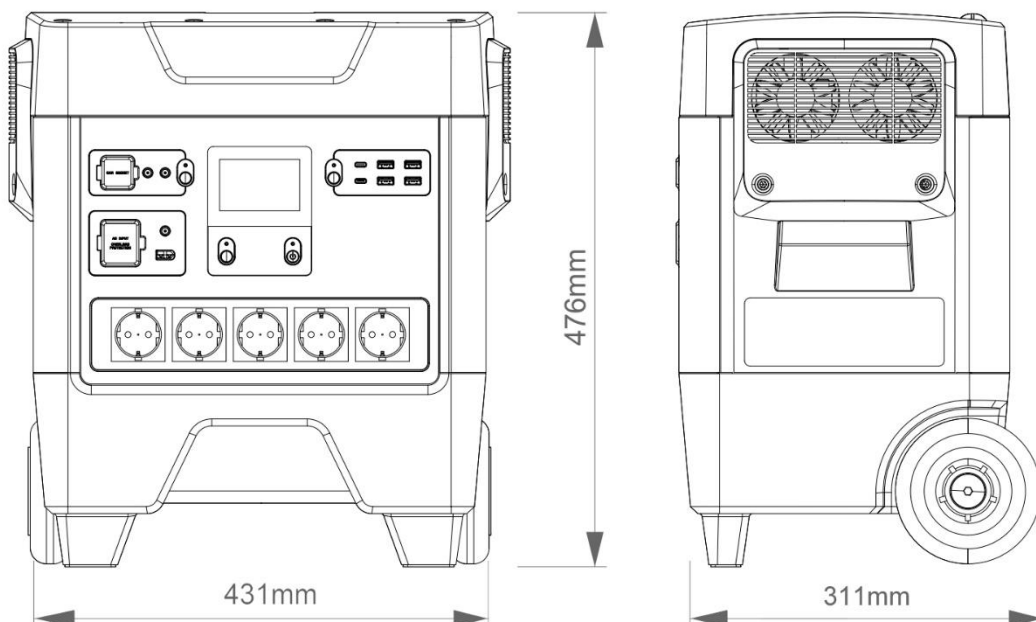
13- Main power button ON/OFF

14- Fan

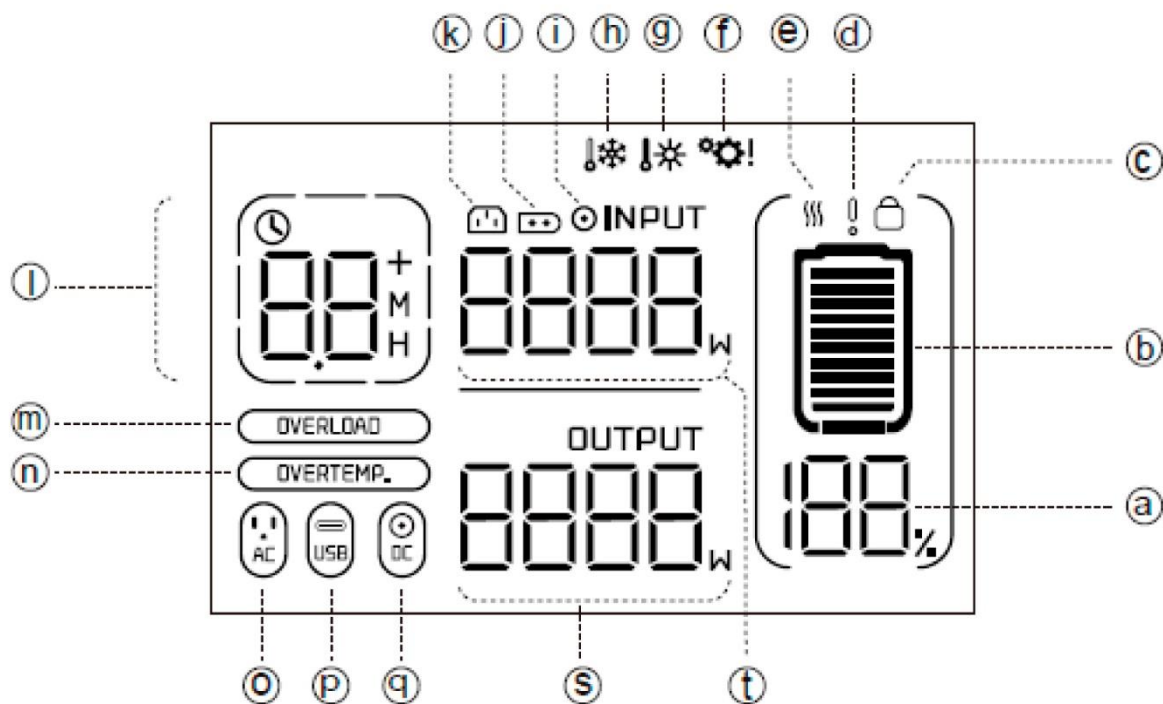
15- Holes for fixing eyebolts*

16- Handle

DIMENSIONES / SIZE



PANEL CONTROL / CONTROL PANEL



Battery information indication	a	100%	Battery power level %	d	!	Battery failure warning
	b		Battery power level	e	⋈	Battery high/low temperature indication
	c		Battery protection			
Input indication	k		AC Input	i		DC Input
	j		Solar panel input	t		Input power indication
Output indication	o		AC Output	q		DC Car output
	p		USB-A/USB-C Output	s		Output power indication
Remaining time indication	l		Remaining discharge /full charge time indicator	r	M	Minutes
				r	H	Hours
Protection indication	f		System failure indication	m	OVERLOAD	Overload protection indication
	g		Over temperature indication	n	OVERTEMP.	Over temperature protection indication
	h		Low temperature indication			